



US00D71992S

(12) **United States Design Patent**
Peng

(10) **Patent No.:** **US D719,992 S**

(45) **Date of Patent:** **** Dec. 23, 2014**

(54) **OUTDOOR SPORTS VIDEO RECORDER**

Primary Examiner — Adir Aronovich

(76) Inventor: **Catherine Hsui-Feng Peng**, Kaohsiung (TW)

(74) *Attorney, Agent, or Firm* — Muncy, Geissler, Olds & Lowe, P.C.

(**) Term: **14 Years**

(21) Appl. No.: **29/424,586**

(57) **CLAIM**

The ornamental design for an outdoor sports video recorder, as shown and described.

(22) Filed: **Jun. 13, 2012**

(51) **LOC (10) Cl.** **16-01**

(52) **U.S. Cl.**

USPC **D16/202**

(58) **Field of Classification Search**

USPC D16/200, 202, 204, 208, 218;
348/373-376; 358/909.1; 396/535-541

See application file for complete search history.

DESCRIPTION

FIG. 1 is a front perspective view of an outdoor sports video recorder showing my new design;

FIG. 2 is a front elevational view thereof;

FIG. 3 is a rear elevational view thereof;

FIG. 4 is a left side elevational view thereof;

FIG. 5 is a right side elevational view thereof;

FIG. 6 is a top plan view thereof;

FIG. 7 is a bottom plan view thereof; and,

FIG. 8 is a top, front and right side perspective view of the outer sports video recorder with a waterproof case shown in broken lines to illustrate environment only and forms no part of the claimed design.

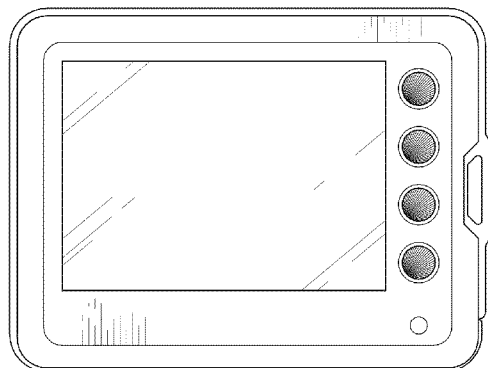
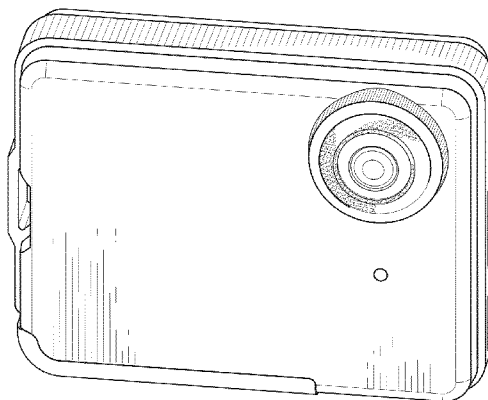
(56) **References Cited**

U.S. PATENT DOCUMENTS

D601,604	S	*	10/2009	Kim	D16/202
D609,731	S	*	2/2010	Yagi	D16/202
7,675,478	B2	*	3/2010	Yamazaki	358/909.1
D661,330	S	*	6/2012	Yu et al.	D16/202
D669,516	S	*	10/2012	Nakamura	D16/202
D683,780	S	*	6/2013	Sakai	D16/202

* cited by examiner

1 Claim, 5 Drawing Sheets



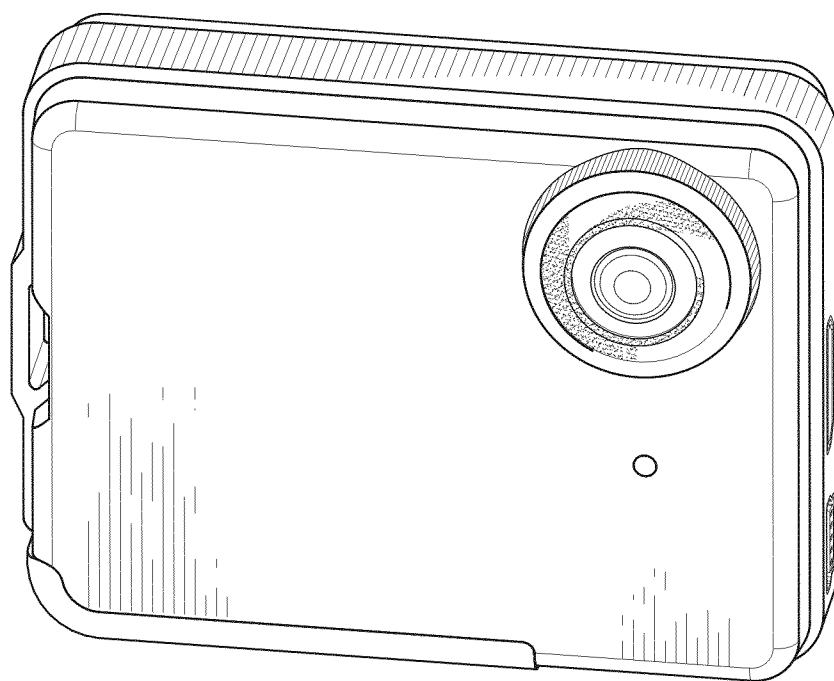


FIG. 1

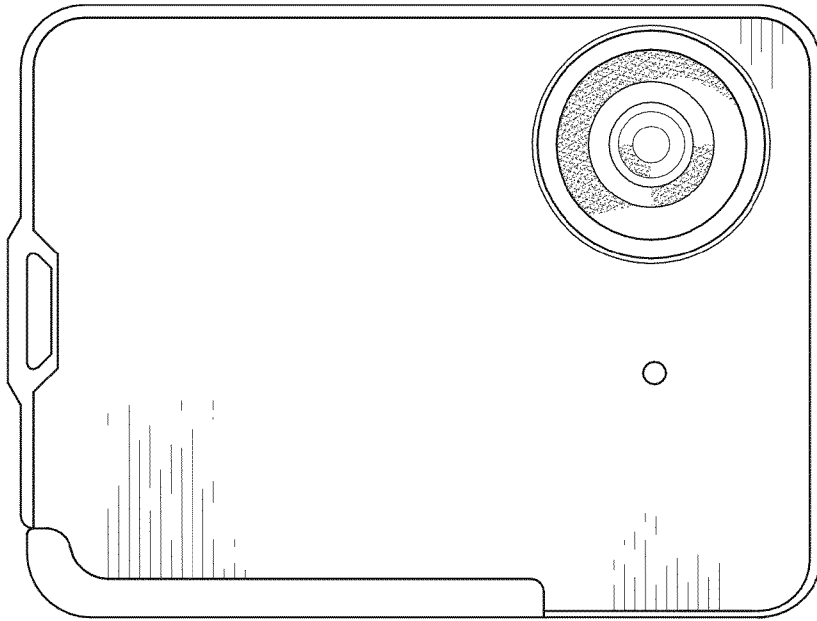


FIG. 2

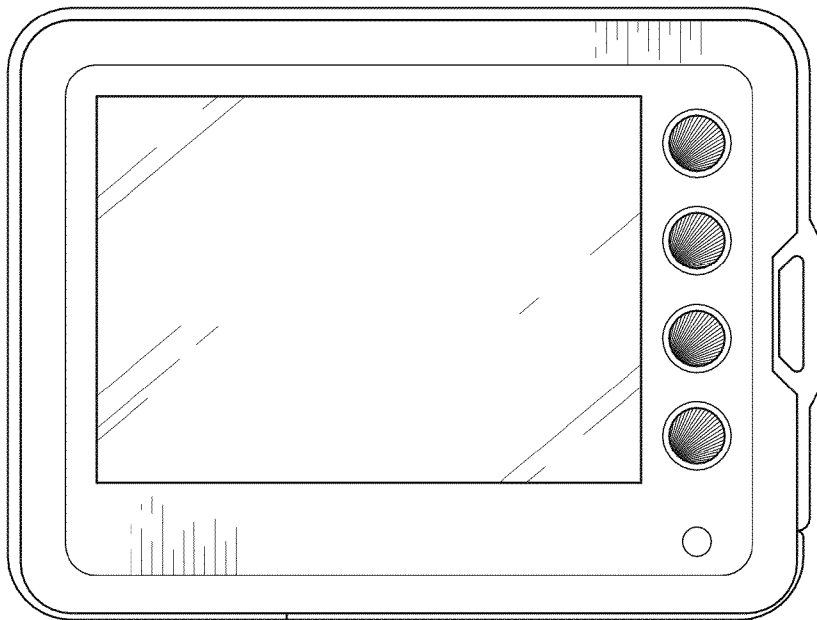


FIG. 3

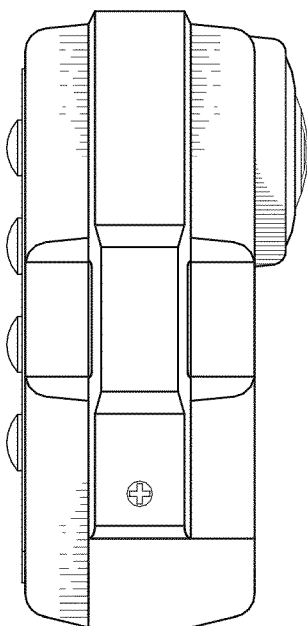


FIG. 4

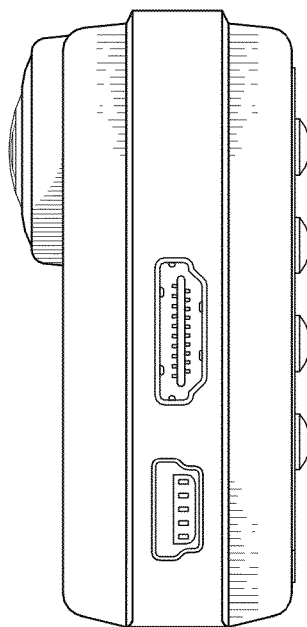


FIG. 5

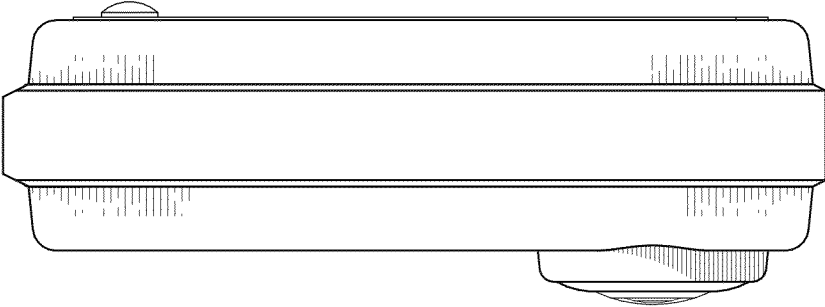


FIG. 6

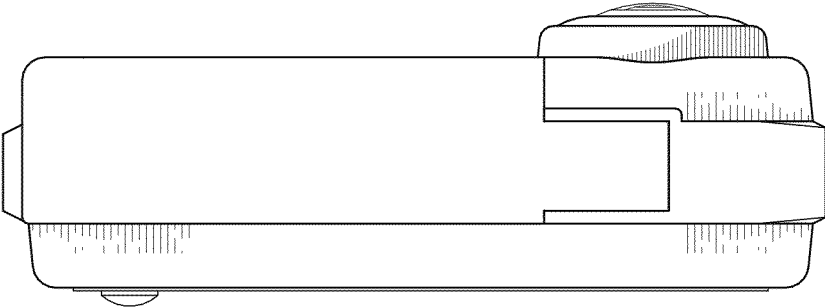


FIG. 7

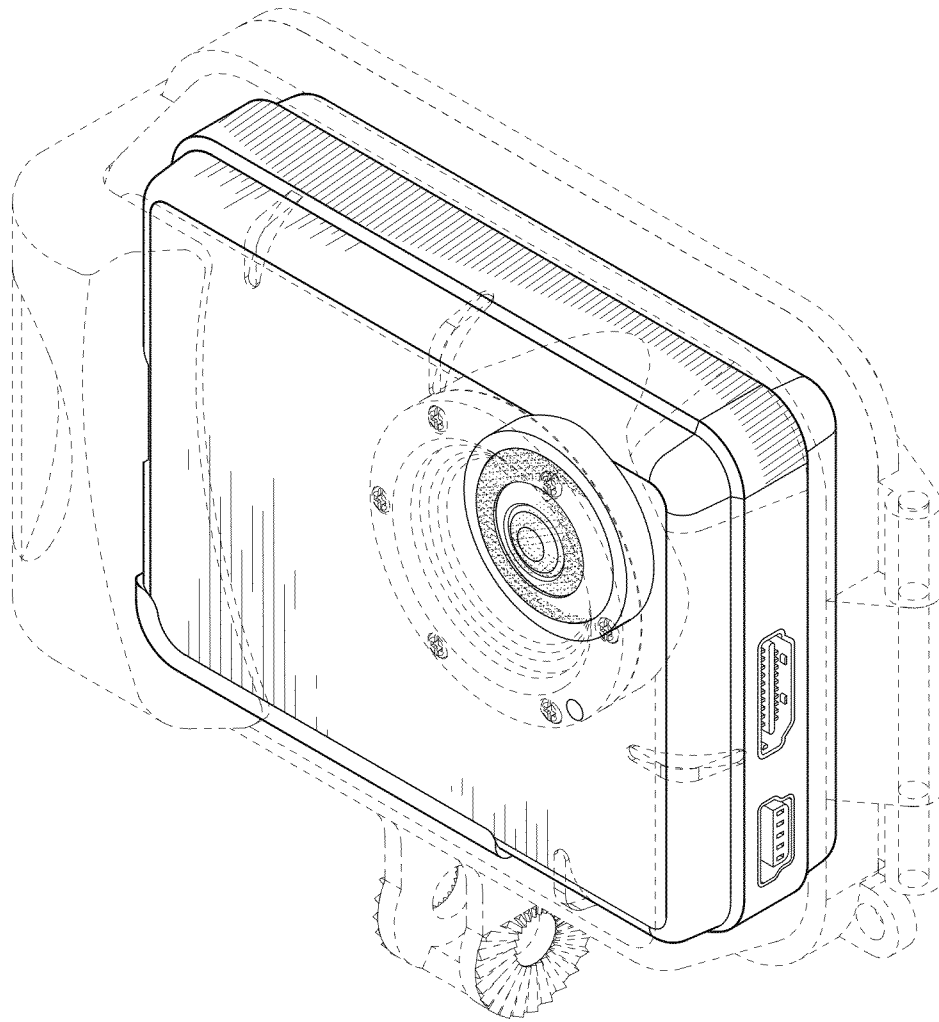


FIG. 8